

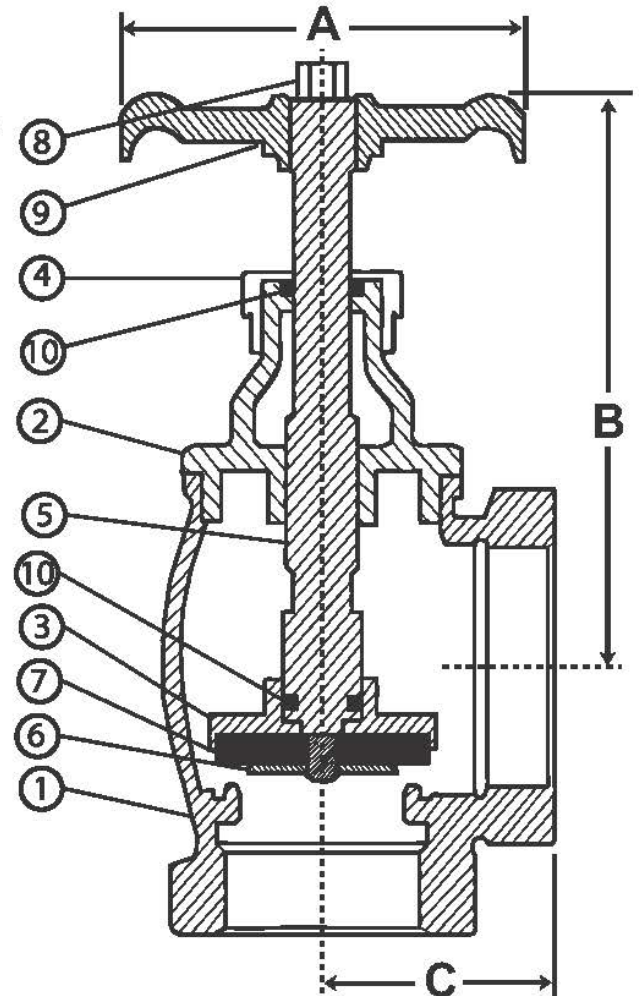
ANGLE VALVE



INDUSTRIAS ESPECIALIZADAS OLIVA
Expertos en Sistemas Contra Incendio
www.ieso.com.mx/tienda (686) 568 9383



MODEL 126S ANGLE VALVE SOFT DISC



MATERIAL LIST		
NO.	DESCRIPTION	MATERIAL
1	Wheel Nut	Hot Rolled (SAE 1010R)
2	Name Plate	Aluminum (A1100)
3	Handwheel	Cast Iron (JIS Z22202)
4	Packing Nut	Brass (B16 C36000)
5	Gland Packing	Graphite (LK 33 FG)
6	Bonnet	Brass (B584 C85710)
7	Stem	Brass (B16 C36000)
8	Lock Nut	Brass (B16 C36000)
9	Seat Holder	Brass (B16 C36000)
10	Seat Packing	Rubber
11	Washer	Brass (B16 C36000)
12	Seat Nut	Brass (B16 C36000)
13	Body	Brass (B584 C85710)

PART #	SIZE	A	B	C
900-1880	1/2"	2.00"	2.40"	1.00"
900-1890	3/4"	2.50"	3.40"	1.25"
900-1900	1"	2.50"	3.90"	1.55"
900-1910	1-1/4"	2.70"	4.10"	1.80"
900-1920	1-1/2"	3.15"	5.40"	2.00"
900-1930	2"	4.00"	6.75"	2.35"