

# CHECK VALVE



## VCG01 - 350PSI Grooved-End Swing Check Valve VCG02132 - 350PSI Grooved-End Riser(Shotgun)

- Installed in both Horizontal or Vertical Line with Upward Flow
- Easier and Faster to Maintain and Install
- Low Pressure Drop
- EPDM non-stick leak tight sealing
- All Stainless Steel Wetted Parts to Provide Superior Corrosion Resistance
- FM Approved & UL/ULC Listed

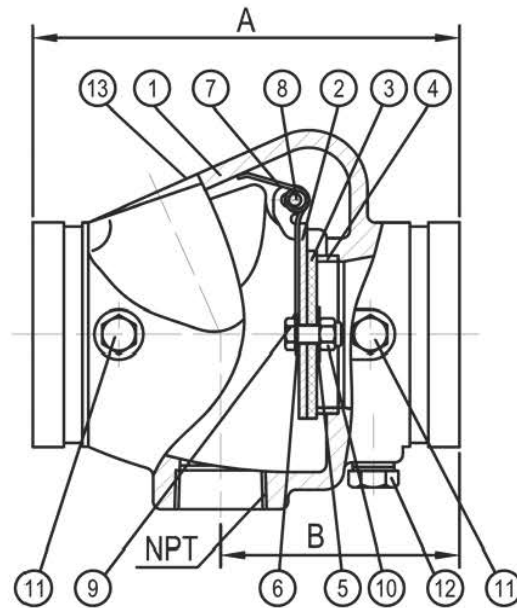


VCG01

VCG02132

### Material Specifications

PART	SPECIFICATION
1. Body	Ductile Iron ASTM A395
2. Clapper	Stainless Steel 304
3. Facing Seal	EPDM Rubber
4. Seat	Bronze
5. Clamping Ring	Stainless Steel 304
6. Gasket	EPDM Rubber
7. Spring	Stainless Steel 304
8. Hinge Pin	Stainless Steel 304
9. Bolt	Stainless Steel 304
10. Locknut	Stainless Steel 304
11. Plug 1/4" NPT	Carbon Steel
12. Plug 1/2" NPT	Carbon Steel
13. Nameplate	Stainless Steel



### Dimension

Part Number	Size		OD	A		B		NPT	Weight	
	In.	mm		In.	mm	In.	mm		lbs	kg
VCG01-060	2	50	60.3	6.65	169	3.54	90	NPT 1"	5.5	2.5
VCG01-073	2½	65	73.0	7.20	183	3.86	98	NPT 1½"	8.8	4
VCG01-076	3OD	65	76.1	7.20	183	3.86	98	NPT 1½"	8.8	4
VCG01-089	3	80	88.9	7.80	198	4.29	109	NPT 1½"	13	6
VCG01-114	4	100	114.3	8.58	218	4.80	122	NPT 2"	20	9
VCG01-140	5½OD	125	139.7	9.76	248	5.39	137	NPT 2"	33	15
VCG01-141	5	125	141.3	9.76	248	5.39	137	NPT 2"	33	15
VCG01-165	6½OD	150	165.1	10.63	270	5.83	148	NPT 2"	42	19
VCG01-168	6	150	168.3	10.63	270	5.83	148	NPT 2"	42	19
VCG01-219	8	200	219.1	12.80	325	7.28	185	NPT 2"	77	35

**NOTE: Only the VCG02132 type have "B" & "NPT" size.**